

Technical Information

TP30M11/2 W



AQUAFIX BELGIUM BVBA
Tel. 013 66 83 03, WWW.AQUAFIX.BE



AQUAFIX MILIEU B.V.
Tel. 0297 26 29 29, WWW.AQUAFIX.NL

Operating data

Flow	0 m ³ /h
Head	0 m
Shaft power P2	
Pump efficiency	s %
Required pump NPSH	
Pumpe type	Single head pump
No. of pumps	1
Fluid	Water, clean

Pump

Pump Code	TP30M11/2 W
Impeller	Single vane impeller
Impeller size	104 mm
Solid size	30 mm
Discharge port	R 2" AG
Suction port	s

Motor

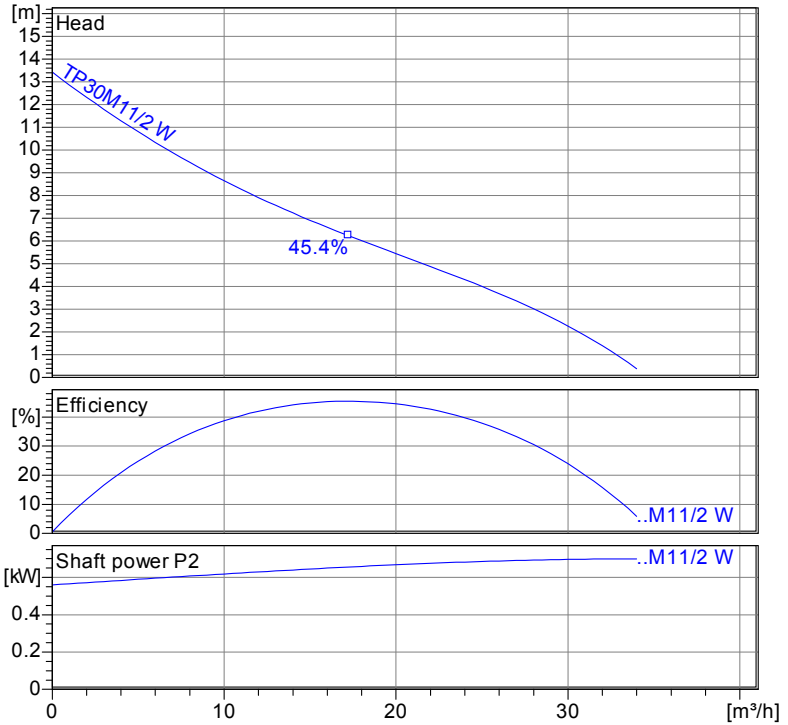
Rated voltage	230 V
Frequency	50 Hz
Rated power P2	0.7 kW
Rated speed	2900 rpm
Number of poles	2
Efficiency	74 %
Rated current	4.3 A
Degree of protection	IP 68

Materials

Motor housing	Grey cast iron GG25
Impeller	Grey cast iron GG25
Pump housing	Grey cast iron GG25
Motor shaft	Stainless steel 1.4104
Bolts	Stainless steel
O-Rings	Nitrile Rubber

Lip seal on motor side	Nitrile Rubber
Mechanical seal on medium side	SiC / SiC
Lower Bearing	Deep Groove Ball Bearing
Upper Bearing	Deep Groove Ball Bearing

Testnorm: ISO9906 Sect. 4.4.2



Wet well installation with coupling kit
Dimensions in mm,

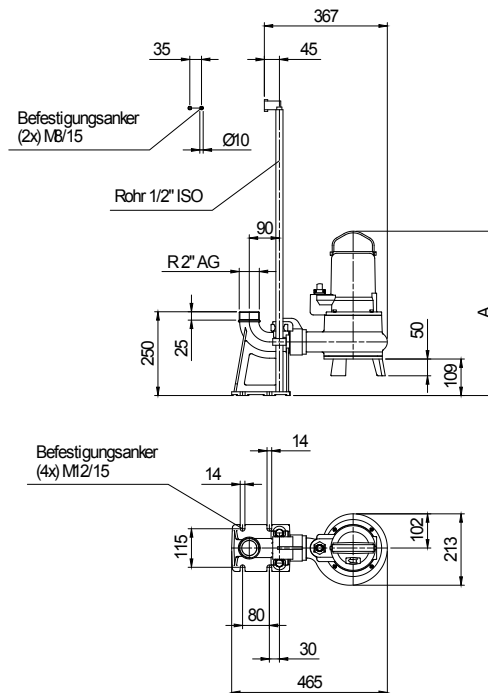


Table Dimensions (mm)

A 490

2.3.7 - 14/03/2012 (Build 345)

Project	Project no.:	Created by:	Page: 1
---------	--------------	-------------	------------

Performance Curve

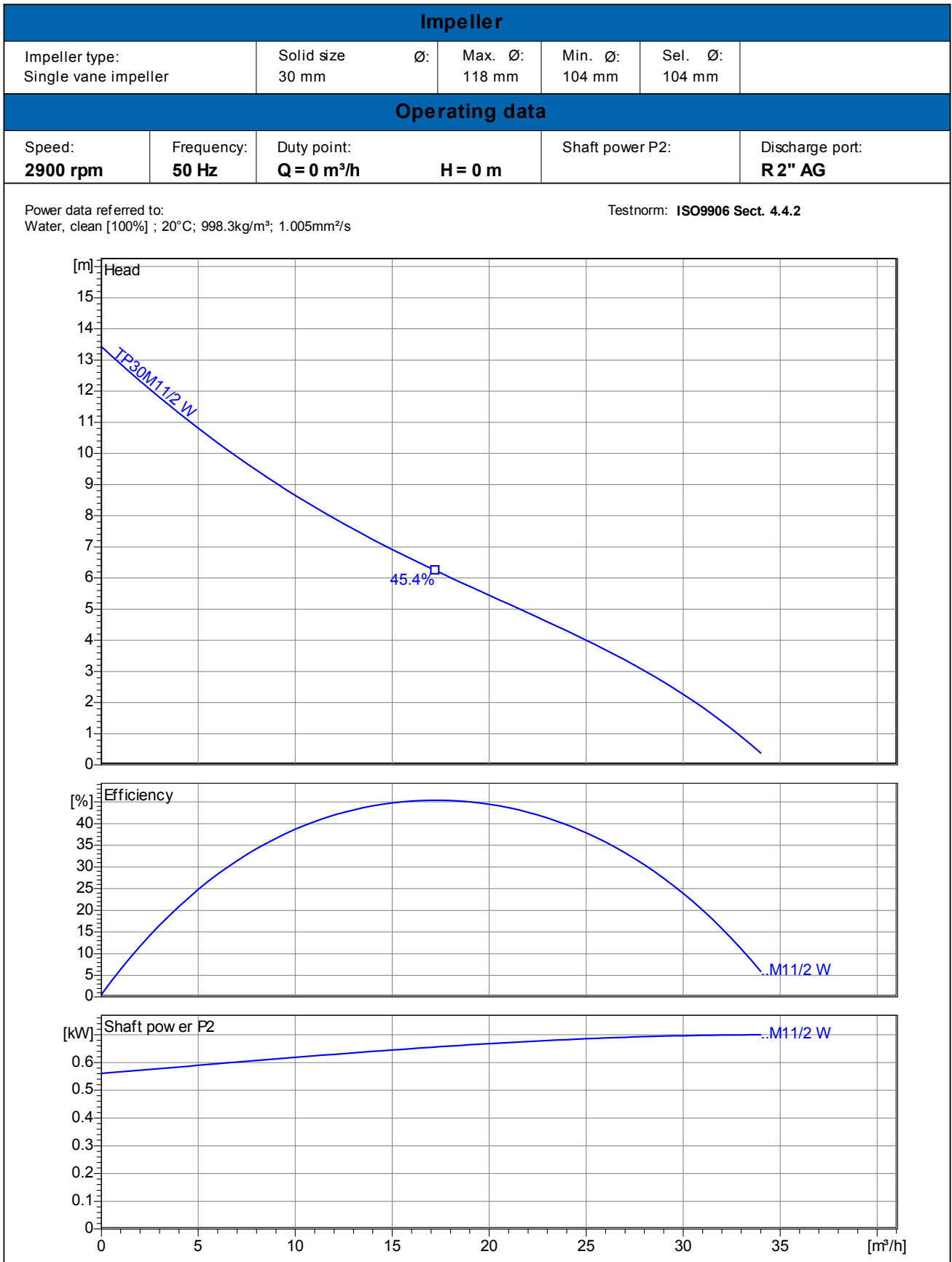
TP30M11/2 W



AQUAFIX BELGIUM BVBA
Tel. 013 66 83 03, WWW.AQUAFIX.BE



AQUAFIX MILIEU B.V.
Tel. 0297 26 29 29, WWW.AQUAFIX.NL



2.3.7 - 14/03/2012 (Build 345)

Project	Project no.:	Created by:	Page: 2
---------	--------------	-------------	-------------------

Dimensions

TP30M11/2 W



AQUAFIX BELGIUM BVBA
Tel. 013 66 83 03, WWW.AQUAFIX.BE



AQUAFIX MILIEU B.V.
Tel. 0297 26 29 29, WWW.AQUAFIX.NL

Wet well installation with coupling kit
Dimensions in mm, le

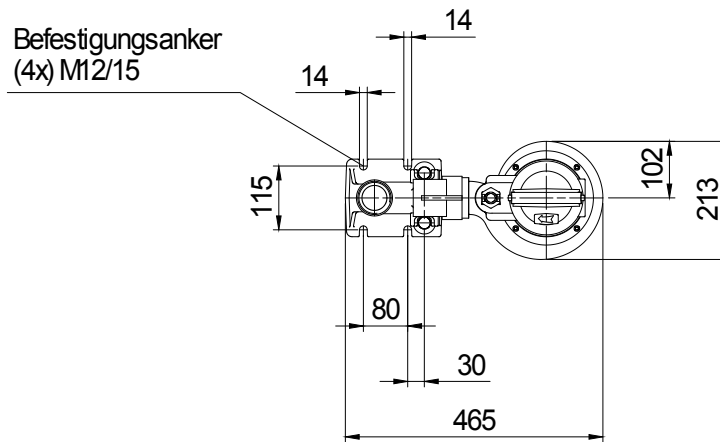
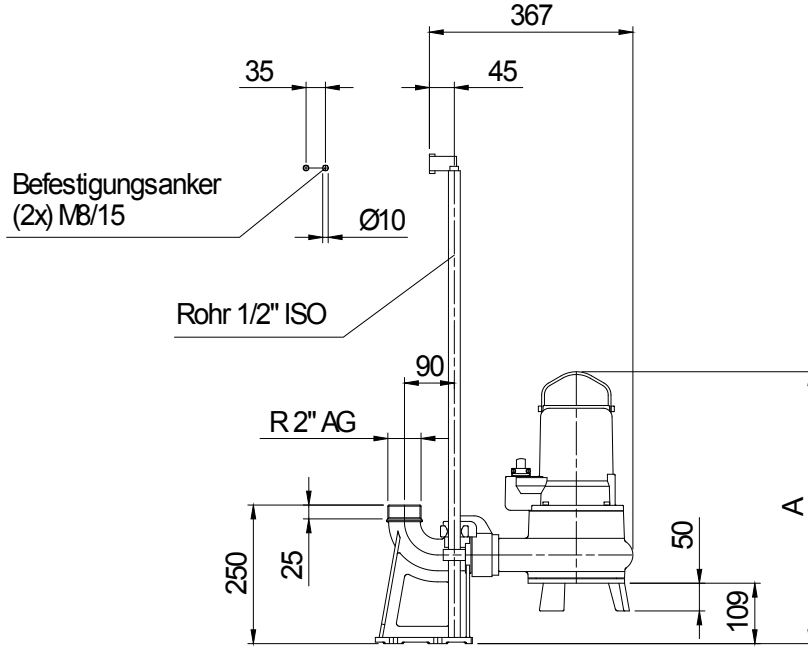


Table Dimensions (mm)

A	490
---	-----

Technical Data

TP30M11/2 W



AQUAFIX BELGIUM BVBA
Tel. 013 66 83 03, WWW.AQUAFIX.BE



AQUAFIX MILIEU B.V.
Tel. 0297 26 29 29, WWW.AQUAFIX.NL

Operating data					
Flow	0 m ³ /h	m ³ /h	Head	0	m
Shaft power P2		kW	Geodetic head	0	m
Pump efficiency	s	%	Required pump NPSH		m
Pumpe type	Single head pump		No. of pumps	1	
Fluid	Water, clean		Temperature	20 °C	
Density	998.3	kg/m ³	Kin. viscosity	1.005	mm ² /s

Pump					
Pump Code	TP30M11/2 W		Speed	2900	rpm
Suction port			Head	Max.	13.4 m
Discharge port	R 2" AG			Min.	0.4 m
Impeller type	Single vane impeller		Flow	Max.	34.0 m ³ /h
Solid size	30	mm	Pump efficiency max.	45.4 %	
Impeller Ø	104	mm	Required rated power max. P2	0.7 kW	

Motor					
Motor version	Submersible motor		Insulation class	H	
Motor name	AM 120TM.1,2/2 W		Degree of protection	IP 68	
Frequency	50	Hz	Temperature class		
Rated power P1	1.0	kW			
Rated power P2	0.7	kW	Explosion protection		
Rated speed	2900	rpm	Efficiency	100%	74 %
Rated voltage	230	V 1~	at % rated power	75%	%
Rated current	4.3	A		50%	%
Starting current, direct starting	25.8	A	cos phi	100%	1.00
Starting current, star-delta	8.1	A		at % rated power	75%
Starting mode	Directly			50%	
Power cable	4G1,5		Control cable		
Type of power cable	H07RN-F		Type of control cable		
Cable length	10 m		Service factor	1.15	
Shaft seal	Lip seal on motor side		Nitrile Rubber		
	Mechanical seal on medium side		SiC / SiC		
Bearing	Lower Bearing		Deep Groove Ball Bearing		
	Upper Bearing		Deep Groove Ball Bearing		
Remarks	Start-/ Runcapacitor: - µF / 25µF				

Materials / Weight			
Motor housing	Grey cast iron GG25	O-Rings	Nitrile Rubber
Pump housing	Grey cast iron GG25		
Impeller	Grey cast iron GG25		
Motor shaft	Stainless steel 1.4104		
Bolts	Stainless steel		
Weight aggregat	On demand kg		

Project	Project no.:	Created by:	Page: 4
---------	--------------	-------------	------------